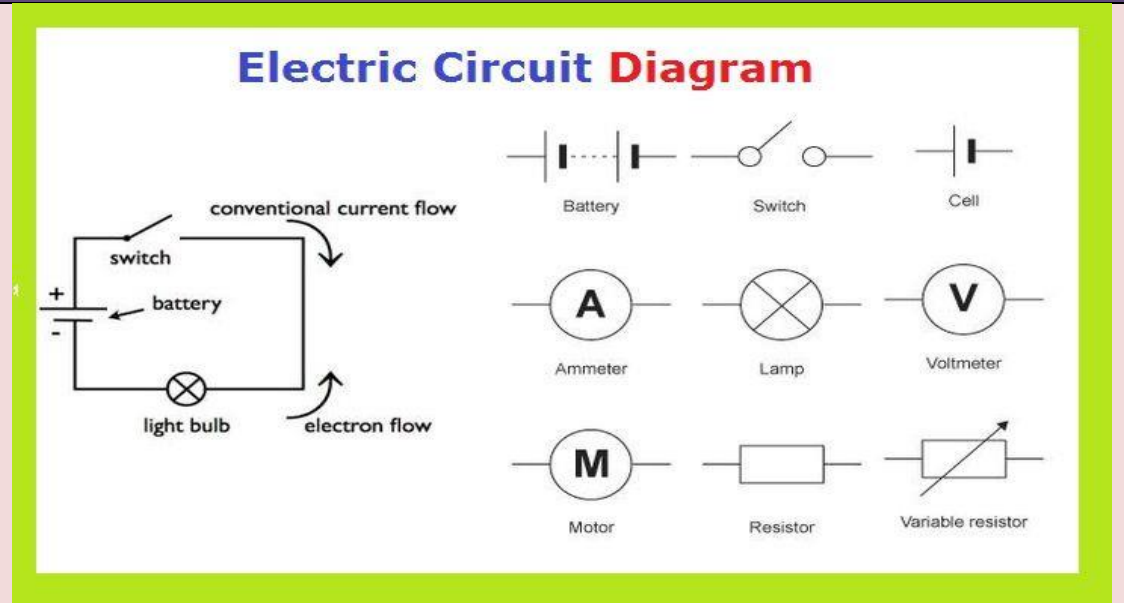


Key Facts

1. A circuit must be complete for an electrical current to flow through it.
2. Batteries store **chemical energy** and change it to electrical energy.
3. A bulb in the circuit slows down (**resists**) the flow of electricity. More bulbs, wired in series, will slow down the flow even more, so the bulbs become dimmer.
4. Materials that allow electricity to flow within them are **electrical conductors**, whereas **Insulators** are materials that do not allow electricity to flow within them.
5. The purpose of a switch in a series circuit is to make it easy to open or close the electrical circuit, turning the flow of electricity on or off.
6. The purpose of the wires in a series circuit is to allow the electricity to flow from one device to the next.



Scientific Skills

- Investigate
- Record my results
- Use my results to make predictions

Key Vocabulary

- circuit
- conductor
- insulator
- buzzer
- bulb
- switch
- wires
- light
- sound
- heat